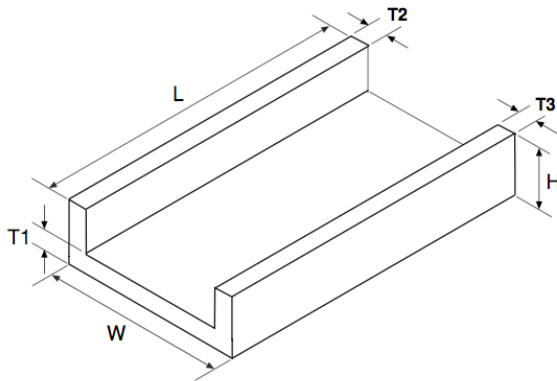


Biteam's 3D-weaving process uniquely enables direct production of fully integrated woven profiles for modular construction with composite materials



Cross-section Dimensions (in mm)

W: 10, 15, 20, 25, 30, (40)

H: 10, 15, 20, 25, 30, (40)

T1: 1.5 to 3.0; **T2:** 1.5 to 3.0

T3: 1.5 to 3.0

Single Piece Length (L)

Minimum - 500 mm

Maximum - on request

Standard Tolerances

W & H = ± 1 mm

T = ± 0.3 mm

Fibres

Carbon 6k, 12k

(Glass/others on request)

Additional functional features like built-in flaps for fastening, inclusion of electrical wires, optical fibres etc. can be considered for non-standard profiles. Different fibres also combined for hybrid profiled materials. Larger cross-sectional dimensions and profiles with additional +/- fibre orientations produced on special orders. Final specifications on confirmation.

Product ordering code: U2030-333 refers to Pi profile with dimensions

W=20, H=30, T1=3, T2 =3, T3=3